

# Audax™

MOBILE SECURITY SOLUTIONS

**NEW**



## Features

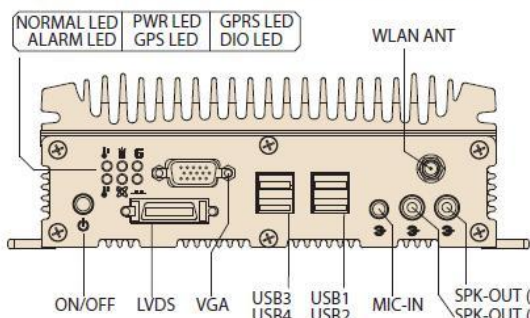
- Fanless, ultra compact embedded box IPC
- Built-in Intel® Core™ 2 Duo ULV U7500 1.06 GHz / Celeron® M ULV 423 1.06 GHz CPU
- Startup and shutdown linked to car battery and ignition status
- ARK-1388 works with both 12-volt and 24-volt systems
- Optional built in WLAN/GPRS/EDGE//UMTS/HSDPA module
- Supports 50-channel GPS receiver
- Amplifier audio supports stereo 6W
- Supports VGA, LVDS dual independent display
- ISO-7637-2
- IP40



## Specifications

|                       |                            |   |  |
|-----------------------|----------------------------|---|--|
| Processor System      | CPU                        | Intel Core 2 Duo ULV  | Intel Celeron M ULV                                    |
|                       | Max. Speed                 | U7500 (1.06 GHz)  | 423 (1.06 GHz)   |
| Memory                | Front Side Bus             | 533 MHz FSB   | 533 MHz FSB  |
|                       | System Chipset             | 945GM + ICH7-M  |  |
|                       | BIOS                       | AWARD 4 Mbit, FWIH  |  |
| Graphics              | Technology                 | DDR2 533/667 MHz (945GM)  |  |
|                       | Max. Capacity              | 2 GB  |  |
| Ethernet              | Socket                     | 1 x 200-pin SODIMM  |  |
|                       | Chipset                    | Integrated graphics built in to Intel 945GM, Intel 3.5 Generation Integrated Graphics Engine        |  |
| Audio                 | Interface                  | CRT interface   |  |
|                       | Amplifier                  | 36-bit LVDS interface   |  |
| I/O Interface         | LAN                        | 10/100 Mbps Ethernet controller, Supports Wake on LAN   |  |
|                       | Serial Ports               | Output 6 W Amplifier stereo   |  |
| Communication         | USB Interface              | Spkr-out (L&R), Mic-in, RCA connector   |  |
|                       | Wireless LAN               | 1 x RS-232 port, 3 x RS-232/422/485 ports selectable by jumper and RS-485 support Auto flow control |  |
| Other                 | GPS                        | 4 x USB ports, USB 2.0 Compliant  |  |
|                       | GPRS/EDGE/HSDPA            | 802.11b/g WLAN miniPCI module (optional)  |  |
| Expansion             | Digital I/O                | Built-in u-blox LEA 5 GPS receiver, supports 50 channels  |  |
|                       | Mini PCI                   | Wavecom Q2686, supports GSM/GPRS 850/900/1800/1900 MHz (optional);                                  |  |
| Storage               | Thermal Alarm              | Wavecom Q2687, supports GSM/GPRS/EDGE (optional);   |  |
|                       | HDD                        | Siemens HC25, supports UMTS/HSDPA (optional)  |  |
| Software Support      | Watchdog Timer             | 6 bit, 4 x digital input with isolation and 2 x digital output with relay                           |  |
|                       | SSD                        | Blue LED Lighting   |  |
| Power Requirement     | Power Type                 | 255 level timer interval, setup by software   |  |
|                       | Power Input Voltage        | 1 Slot Mini PCI   |  |
| Power Consumption     | Minimum Power Input        | -   |  |
|                       | Power Adapter              | Supports CompactFlash socket for type I/II CompactFlash disk  |  |
| SW Power Monitor      | Typical                    | Microsoft Windows   | VISTA, XP Professional, XP Embedded, 2000, CE, NET 6.0 |
|                       | Max                        | AT/ATX  |  |
| Mechanical            | Operating Temperature      | Power on delay, default 10 secs   |  |
|                       | Storage Temperature        | Power off delay, default 60 secs  |  |
| Environment           | Relative Humidity          | Power hard off delay, default 180 secs  |  |
|                       | Vibration During Operation | Construction  | Aluminum housing                                       |
| Safety Certifications | Shock During Operation     | Mounting  | DIN-rail mounting; Desk/wall-mounting; VESA mounting   |
|                       | Vehicle                    | Dimensions (W x H x D)  | 189 x 63.76 x 130.6mm ( 7.44" x 2.51" x 5.14" )        |
|                       |                            | Weight  | 1.9 kg (4.18 lb)                                       |

Front Panel External I/O Mechanical Layout/Drawing



Rear Panel External I/O Mechanical Layout/Drawing

